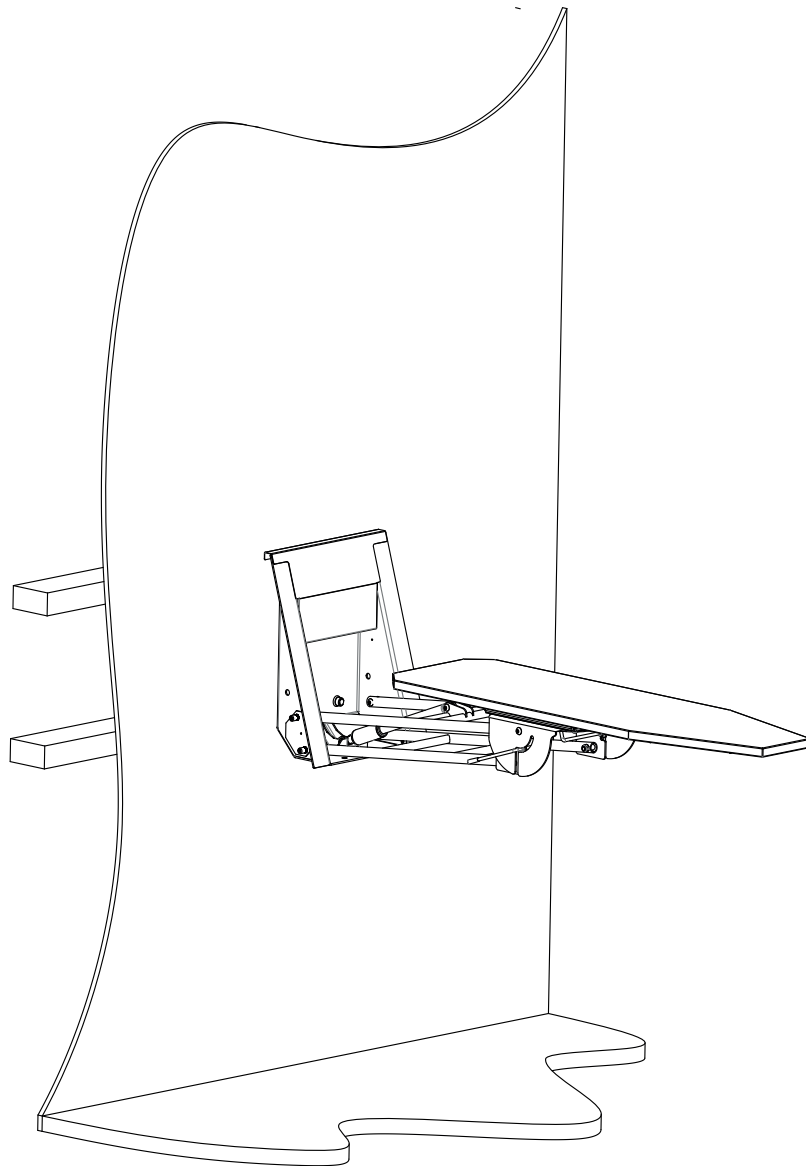


IRONMAID

IRONING MODULE

OPERATING INSTRUCTIONS



NIMO ▶

CONTENTS

THESE OPERATING INSTRUCTIONS	PAGE 2
IMPORTANT SAFETY INFORMATION	PAGE 3
INSTALLATION	PAGE 4
FIXING TO THE WALL	PAGE 5
HANDLING	PAGE 6
SERVICE	PAGE 7
CARE	PAGE 7
TECHNICAL DATA	PAGE 8

THESE OPERATING INSTRUCTIONS

These operating instructions describe the **function** and **handling** of the ironing module and include directions for **installation** and **maintenance**.

February 2012

Nimo AB reserves the right to make necessary improvements and/or changes to this manual. Unapproved copying, changes, and distribution to unauthorised persons are prohibited.

Nimoverken AB, BOX 124, S-548 22 Hova, Sweden
Tel +46 (0)506-488 00 Fax +46 (0)506-488 10

IMPORTANT SAFETY INFORMATION

The advice and warnings here have been drawn up to avoid incorrect use and unnecessary risks of accidents and should therefore be read before installation and use of the module.

N.B. Store these operating instructions so they are always available from future reference.

- Read these operating instructions before using the module.
- Remember to turn off the iron before folding up the ironing board.
- Do not store anything combustible in the ironing cupboard.
- Do not sit on the ironing board or use it as a storage area.
- The module should be installed or stored indoors.
- Follow NIMO's instructions in the event of any repairs and replacement of parts.
- Adapt the ironing temperature and carefully follow the manufacturer's instructions for ironing.
- Take care not to iron at temperatures that are at too hot.

The ironing module may not be used by children or people with reduced physical or mental ability or lack of experience unless they have been given supervision or instructions!

INSTALLATION

Unpacking

Remove all packaging material. Do not use sharp tools that could damage the ironing cupboard.

Check that the product has not been damaged in transport. Any transport damage must be reported to the distributor within 7 days.

After unpacking, check that the ironing module is free from defects. Damage, faults and any missing parts must be reported to the distributor immediately.

Check that all transport safety fastenings have been removed before the ironing module is connected.

Packaging materials such as plastic and polystyrene must be stored out of reach of children.

A complete delivery should include:

- A complete, assembled ironing board
- Fittings to fix the cupboard to a wall
- 4 screws, 4 plugs, 4 washers and 4 protective covers for the screw heads for fixing to the cupboard through the back (pos 1, 4, 5, 6)
- Operating instructions

N.B. Important safety information

For safe installation, the module must be securely fixed to a wall.

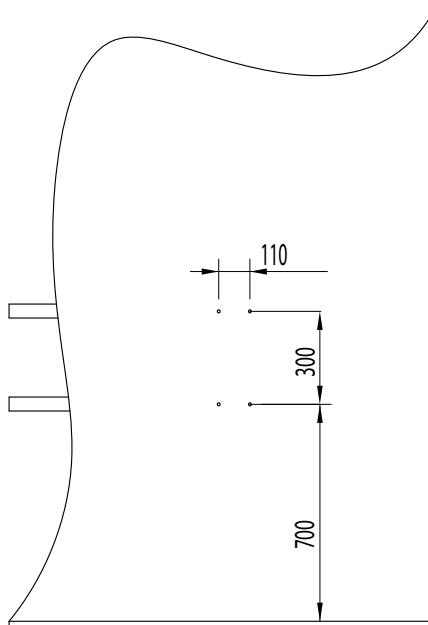
When fixing to a wall, the screws must be fixed to scantlings.

When fixing to a concrete wall, the enclosed plugs must be used.

When fixing to a wood stud wall, the screws must be fixed to so-called nogging pieces (pos 1, 2).

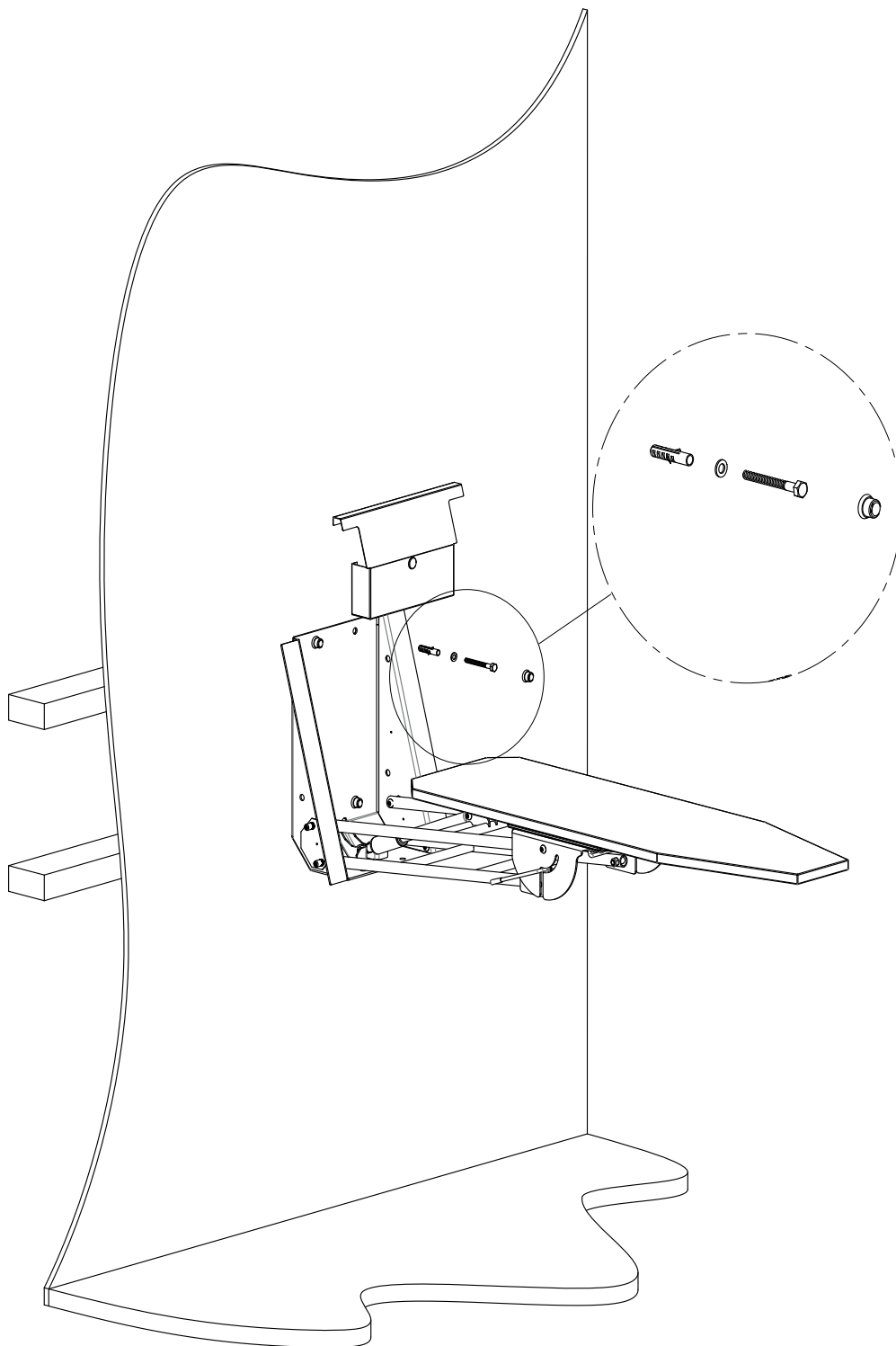
If you are unsure, contact a qualified tradesman for advice.

Template for holes



FIXING TO THE WALL

- 1 - Lift up the panel.
- 2 - Screw on the back through the big holes according to the above instruction.
- 3 - Replace the panel.



HANDLING

Ironing

WARNING!

Read the safety instructions on page 3 before using the ironing module.

Most of the settings and adjustments for IronMaid can be done with one hand.

The controls are shown on the picture.

Folding the board up/down

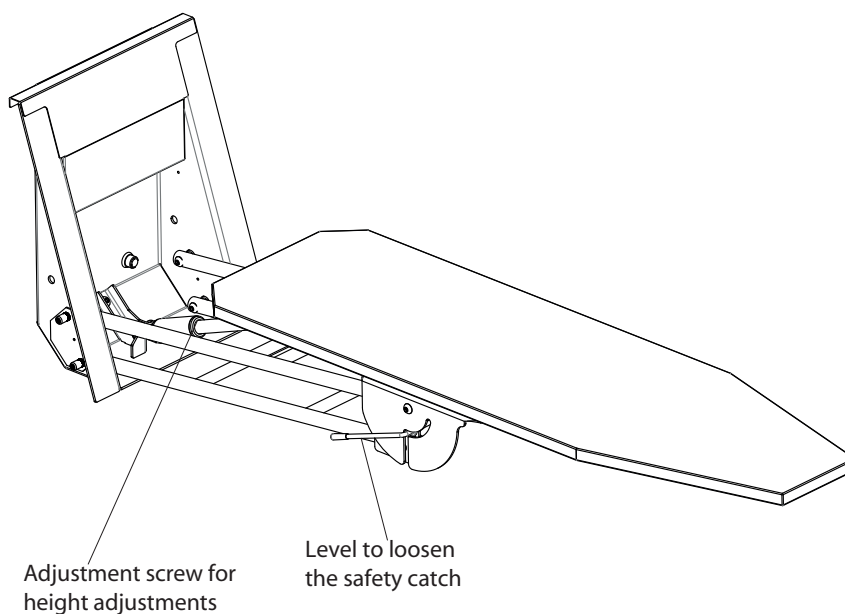
Fold down the ironing board by holding the lower edge and pulling the board out.

To fold it up again, loosen the safety catch with the lever under the board, lift the back edge and push the ironing board in.

Adjusting the height and sideways position

The height of the ironing board is adjusted by turning the adjustment screw. The setting will remain when the ironing board is folded away again.

The ironing board can be adjusted continuously sideways up to 90° in both directions.



SERVICE

New covers for the ironing board are available to buy from Nimoverken.

CARE

Cleaning

A high-pressure cleaner may not be used!

The ironing module should be cleaned using a mild soap solution and a damp cloth.
The ironing board should be cleaned with a damp cloth.

TECHNICAL DATA

